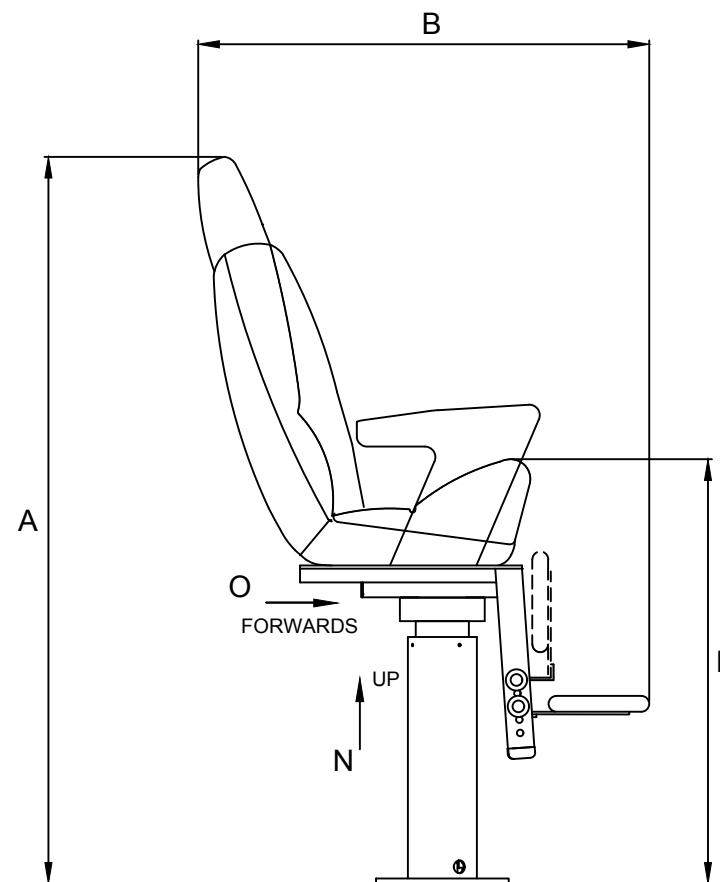
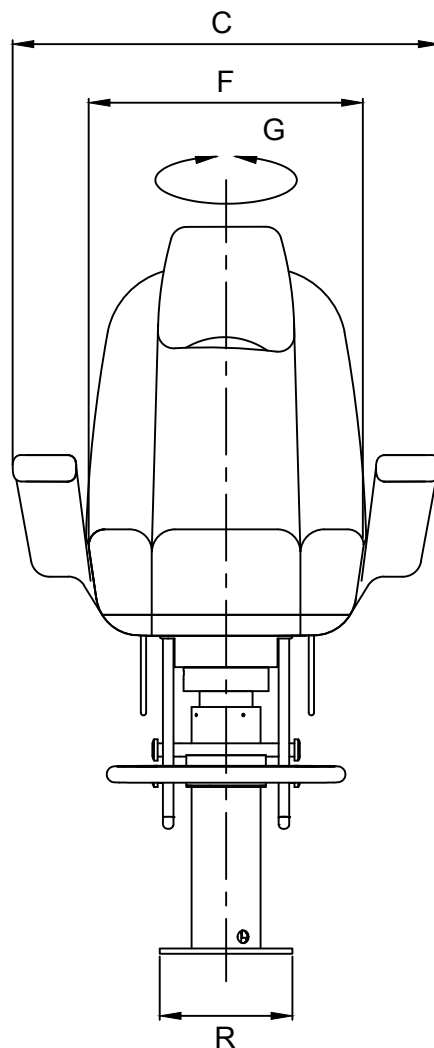


A (mm)	≈ 1410
B (mm)	≈ 850
C (mm)	≈ 805
D (mm)	800
F (mm)	500
G (°)	360
N (mm)	250
O (mm)	180
R (mm)	∅ 250
Weight (Kg)	90



The padding could vary the sizes of few centimeters



Product

P 242 SEAGULL MANUAL

Helm Seat